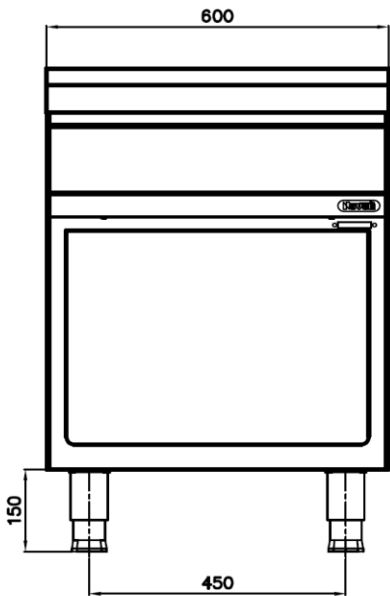




Total Food-Service Solutions

### Modular Neutral Work Counter NNWC 6-90 GR, Work Counter with Open Cabinet or Swing Door

ITEM# \_\_\_\_\_  
 MODEL# \_\_\_\_\_  
 NAME# \_\_\_\_\_  
 S/N# \_\_\_\_\_

**Grandis Modular Neutral Work Counter**

**Work Counter with Open Cabinet or Swing Door**

NNWC 6-90 GR	OPEN CABINET.
NNWC 6-90 SD GR	CABINET WITH SWING DOOR.

**Short Form Specification**

**Item No.** \_\_\_\_\_

Nayati Neutral Counter with open cabinet or swing door. Featuring removable clip joint to connect Grandis family product.

#### Main Features

- Unit to be installed free standing, can be joined with base cabinet, table stand or cantilever system.
- Base compartment for storage of pots, pans, sheet pans.
- Unit standard with open cabinet, but can also added with swing door.

#### Construction

- All exterior panels in 304 type of Stainless Steel.
- Orbital top panel anti-scratch finishing.
- Top and side are mounted by 2.0mm of Stainless Steel with Reinforcement.
- Adjustable  $\pm 25$  mm Stainless Steel leg.

#### Included Accessories

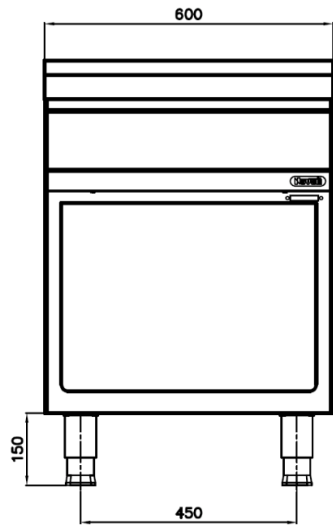
- N/A.

#### Optional Accessories

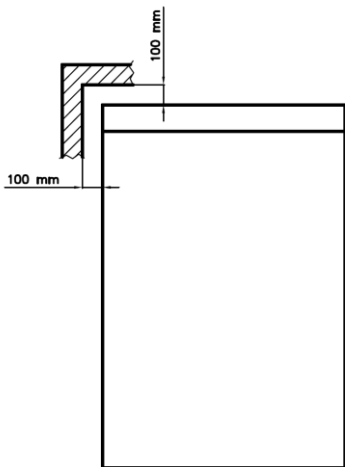
- Clip plate for joining.

APPROVAL: \_\_\_\_\_

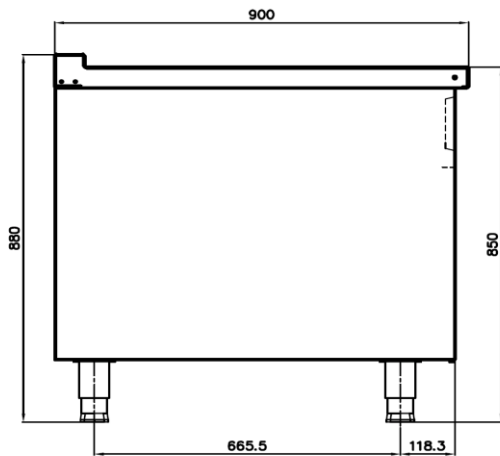
**Front**



**Top**



**Side**



\* Overall Dimension in mm

**Key Information:**

<b>Net Weight:</b>	52 Kg
<b>Shipping Height:</b>	1020 mm
<b>Shipping Width:</b>	655 mm
<b>Shipping Depth:</b>	995 mm
<b>Shipping Volume:</b>	0.665 m <sup>3</sup>

\*Missing information may be updated from time to time, please contact our representative to receive the updated data sheets.